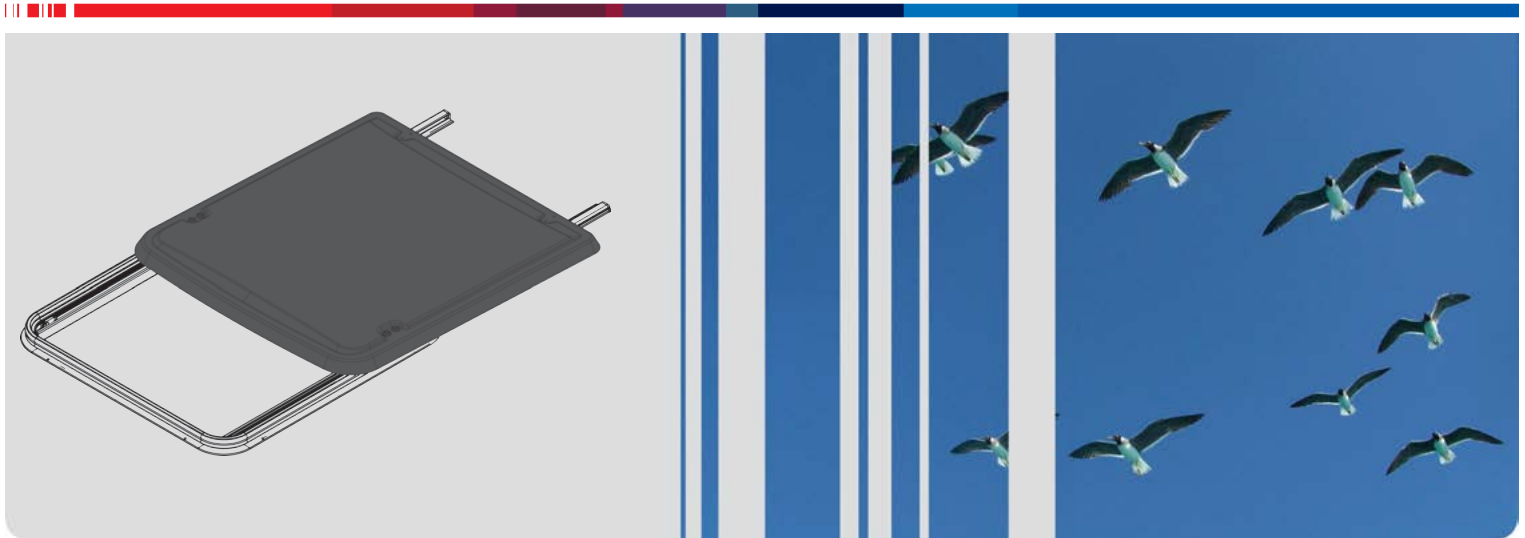


Operating- and Installation Instructions

BlueSky Manually Operated

Marine Roof



English

Table of Contents

1	About this document	3
1.1	Purpose of this document	3
1.2	Using this document	3
1.3	Use of symbols and highlighting.....	3
1.4	Warranty and liability	3
2	Safety	3
2.1	Intended use	3
2.2	Safety information.....	3
3	Operation	4
4	Scope of Delivery	4
5	Required tools and materials	4
6	Installation	4
6.1	Requirements roof.....	4
6.2	Cut-out	4
6.3	Top frame	5
6.4	Panel.....	5
6.5	Rear rails	5
7	Maintenance	6
8	Technical data	6
9	CE declaration	7

1 About this document



1.1 Purpose of this document

The operating – and installation instructions are an integral part of the product and contain all the information required to ensure correct and safe operation and installation.

1.2 Using this document

- ▶ Before operating or installing the unit, read these instructions.

1.3 Use of symbols and highlighting

	CAUTION This signal word denotes a hazard with a low degree of risk which, if not avoided, will lead to minor or moderate injury.
	NOTE This signal word denotes a Special Technical Feature or (if not observed) potential damage to the product.

Symbol	Explanation
✓	Requirements for the following necessary action
▶	Necessary action

1.4 Warranty and liability

Webasto shall not assume liability for defects or damage that are the result of the installation and operating instructions being disregarded.

This liability exclusion particularly applies for:

- Installation by untrained personnel
- Improper use
- Repairs not carried out by a Webasto service workshop
- Use of non-genuine parts
- Conversion of the unit without permission from Webasto
- Mechanical damage to the equipment
- Failure to comply with inspection and maintenance instructions

2 Safety

2.1 Intended use

The BlueSky Manually Operated is a manually operated sliding roof for ventilation purposes. The BlueSky is designed for a large range of applications and can be installed easily in various motor boats.

It is suitable for fitting in area III and usage for motor boats with design-category B according to ISO 12216.

2.2 Safety information





CAUTION Observe the following safety information:	
Description	
	Take care not to hold any body parts, animals etc. through the roof opening when closing the roof!
	Do not stand or walk on the roof!
	Do not use the sliding roof as escape hatch! Make sure that another hatch is accessible for emergencies.
	Close the roof when it starts to rain.

Table 1: Safety information

3 Operation

Use the handle bar to operate the BlueSky Manually Operated. See Fig. 1 - Fig. 3.

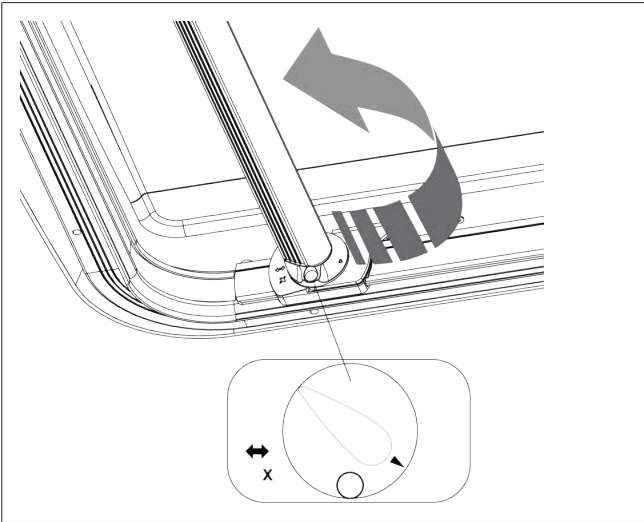


Fig. 1: Rotate the handle bar to the tilt position

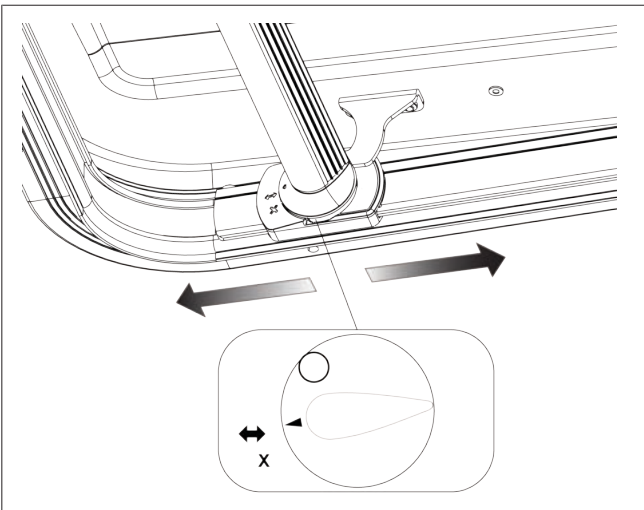


Fig. 2: Slide the roof to the desired position

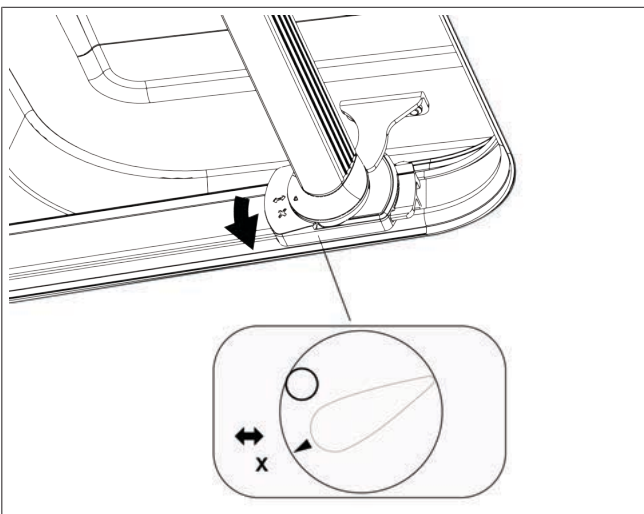


Fig. 3: Lock the roof in open position

4 Scope of Delivery





Description	
	Top frame (incl. mechanism and handle bar)
	Panel assembly (including tool bit for fixing screws)
	Rails, left and right, and rail end caps (2x)
	Connection material (screws, washers, rings)
	Operating – and Installation Instructions

Table 2: Scope of Delivery

5 Required tools and materials

Description	
	Standard tools
	Hardware to fix the top frame and the rear rails: screws M5 stainless steel, pan dome or round head
	High quality, acid free, UV resistant, sealant
	Loctite 243

Table 3: Require tools and materials

6 Installation

6.1 Requirements roof

Sliding roof has to be installed on flat, un-curved surface. Deck / roof / surface must be sufficiently strong at installation point. If not, reinforcement must be made.

6.2 Cut-out

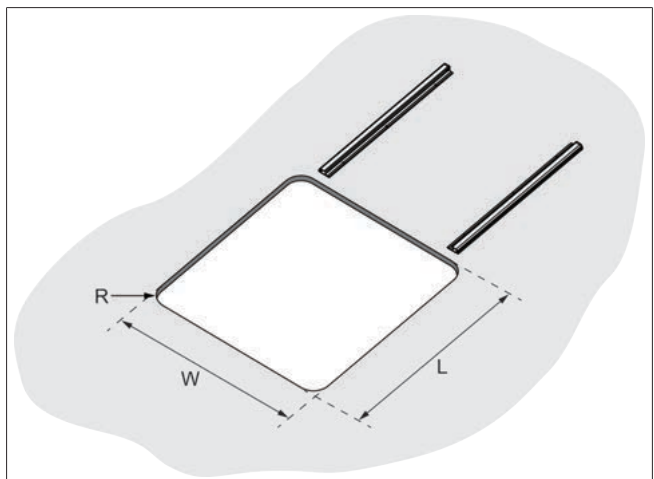


Fig. 4: BlueSky Installation opening

	W [mm]	L [mm]	R [mm]
Model	720	770	65
Model	500	500	65

Table 4: Dimensions cut-out

► Make a cut-out in the deck / roof according the table.

6.3 Top frame

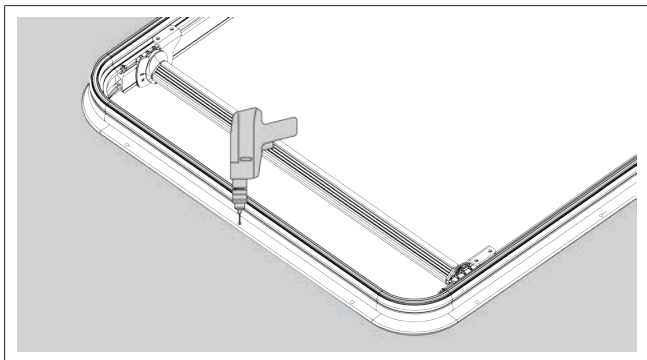


Fig. 5: Frame drilling holes

- ▶ Place the top frame of the roof in the cut out.
- ▶ Fixate frame temporarily.
- ▶ Drill fixing holes. (\varnothing 4,2 mm).
- ▶ Remove top frame.
- ▶ If necessary (aluminum or steel deck): cut thread M5 in fixing holes.

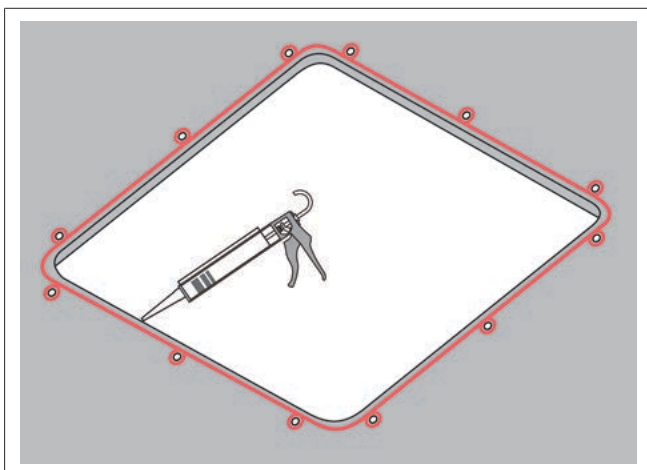


Fig. 6: Apply a bead of sealant

- ▶ Apply a bead of sealant along the contour of the roof cut-out.

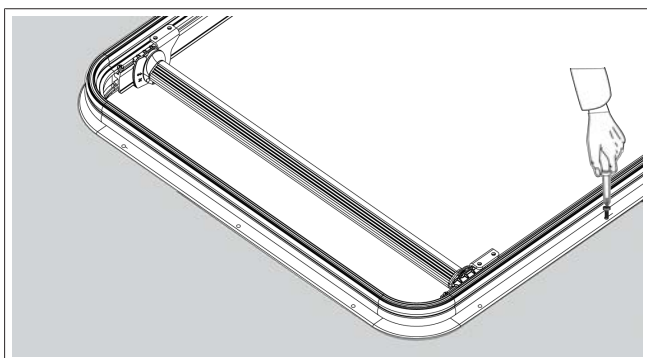


Fig. 7: Top frame mounting

- ▶ Place the top frame again.
- ▶ Place and tighten fixing screws (4 Nm)

6.4 Panel

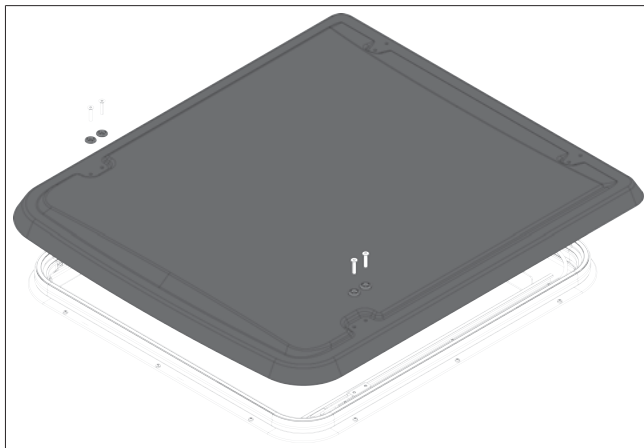


Fig. 8: Panel mounting

- ▶ Place panel assembly on top frame.



NOTE

Apply Loctite 243 on the threads

- ▶ Attach panel assembly to LH and RH mechanism with 2x2 bolts M5x16. Tightening torque: 4 Nm.
- ▶ Align panel assembly with the top frame. Maximum deviation left-right and front-rear: 2 mm.

6.5 Rear rails

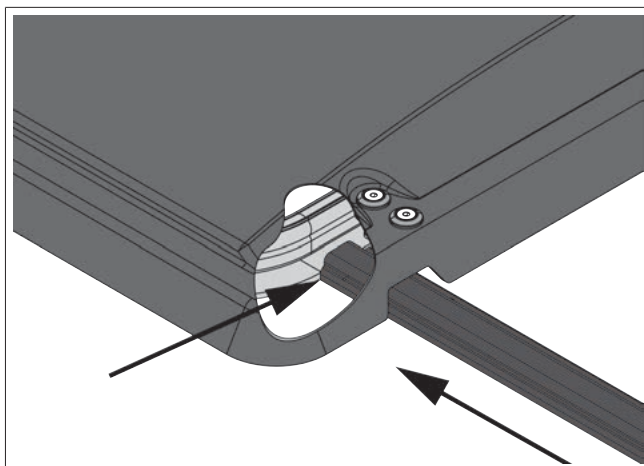


Fig. 9: Rear rail positioning

- ▶ Slide rails through sliding mechanisms.
- ▶ Place rear rails against top frame.

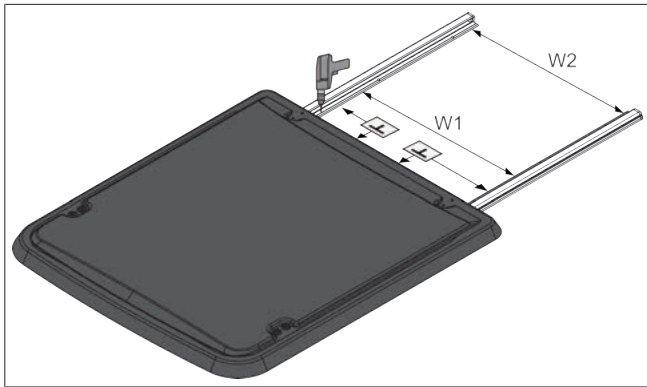


Fig. 10: Rear rails drilling

With closed roof:

- ▶ Make sure that rear rails are parallel and perpendicular to rear beam of top frame.
- ▶ Measure distance between rear rails near sliding bracket.
- ▶ Drill fixing holes $\varnothing 4,2$ mm and cut thread M5 in deck / roof / surface (LH and RH).

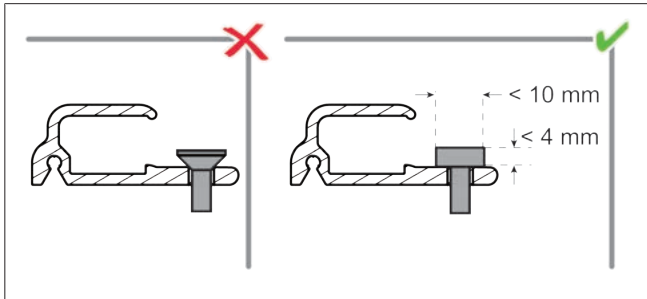


Fig. 11: Criteria for screw

- ▶ Place fixing screws in holes, just hand-tight. Use pan, dome or round head screws, fulfilling the criteria above. I.e. ISO7380.

Alternative fixation with self-tapping screws:

- ▶ Drill holes with correct diameter.
- ▶ Place screws in holes.

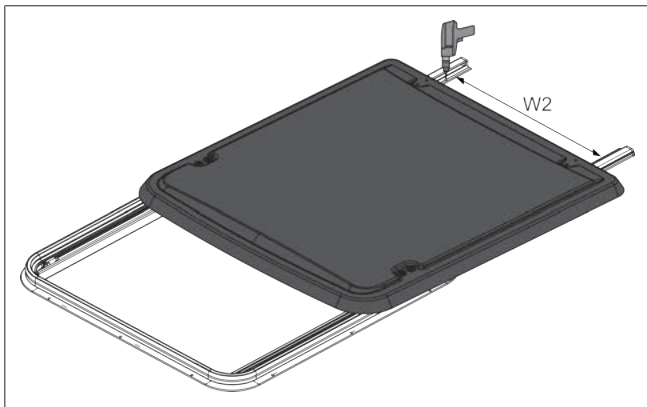


Fig. 12: Rear rails drilling, rear holes

- ▶ Open sliding roof completely.

If necessary, close the roof a bit, until last hole in each rail can be accessed.

- ▶ Check if distance between rear rails is same as measured before.
- ▶ Drill rear fixing holes $\varnothing 4,2$ mm and cut thread M5 in deck / roof / surface.
- ▶ Place fixing screw in each hole, just hand-tight.

Alternative fixation with self-tapping screws:

- ▶ Drill holes with correct diameter.

- ▶ Place screws in the holes.
- ▶ Close sliding roof again, drill remaining fixing holes $\varnothing 4,2$ mm and cut thread M5 in deck / roof / surface.

Alternative fixation with self-tapping screws:

- ▶ Drill holes with correct diameter.
- ▶ Remove the rear rails.

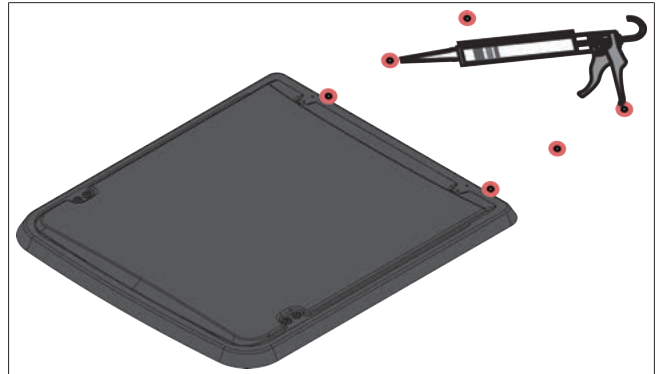


Fig. 13: Rear rails sealing

- ▶ Apply bead of sealant around all fixing holes.

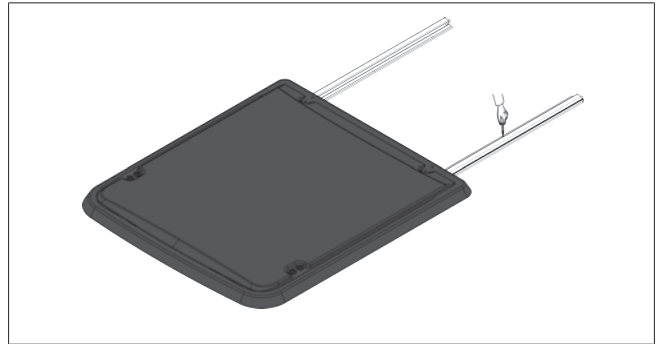


Fig. 14: Rear rails fitting

- ▶ Place rear rails and all fixing screws.
- ▶ Tighten fixing screws (4 Nm).
- ▶ Place and fix the rear rail end caps.

7 Maintenance



CAUTION

Cleaning agents can contain harmful components

Damage to the product

- ▶ Never use solvents.


Clean the sliding roof regularly:

- ▶ Wash the roof with lukewarm water.
- ▶ Then rinse the roof with clean water.

8 Technical data

For detailed technical data, see <https://dealers.webasto.com>.

9 CE declaration



EU-Declaration of Conformity
UE-Déclaration de Conformité

Webasto Thermo & Comfort Benelux B.V.
Constructieweg 47
8263 BC Kampen
Nederland/Pay Bas

For the use of the Webasto sunroof
Pour l'utilisation du toit ouvrant Webasto


BlueSky Marine Sliding Roof System

dedicated for the installation in Area 3 of a design category B recreational craft (motor boat),
we declare conformity with the directives
dédié à l'installation dans la zone 3 d'une embarcation de la catégorie B de
loisirs (bateau à moteur), nous déclarons la conformité avec les directives

2013/53/EU Pleasure craft directive/ Directive sur les bateaux de plaisance
2014/30/EU Electromagnetic Compatibility Directive

Follow the installation and operating instructions.
Suivez les instructions d'installation et d'exploitation.

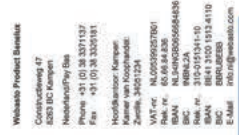
Place and Date of issue/
Place et date de émission
Kampen, 21-11-2016



R. Koning
R&D manager
Webasto Thermo & Comfort Benelux B.V.

This declaration certifies conformity with the Directives listed above.
Cette déclaration certifie la conformité des directives citées ci-dessus.

Page 1 of 2



Constructieweg 47
8263 BC Kampen
Nederland/Pay Bas
Tel: +31 (0) 28 332181
Fax: +31 (0) 28 332181
E-Mail: info@webasto.com

Webasto Product Benefits
Constructieweg 47
8263 BC Kampen
Nederland/Pay Bas
Tel: +31 (0) 28 332181
Fax: +31 (0) 28 332181
E-Mail: info@webasto.com

VAT nr.: NL0059927801
Bnk. nr.: 60.06.64.036
IBAN: NL0059927801000500060408
BIC: WBNL33
RIB: 600604036
BIC: WBNL33
IBAN: NL0059927801000500060408
BIC: WBNL33
RIB: 600604036
E-Mail: info@webasto.com

Page 2 of 2

Following standards are fulfilled as proof of conformity with the provisions of the Directives:
Les normes suivantes sont réunies comme preuve de conformité avec les dispositions des directives:

EN 60945 (2002), chapter 9 Emission
EN 60945 (2002), chapter 10 Immunity

EN-ISO 10133 Small craft – Electrical systems – Extra-low-voltage d.c. installations
EN-ISO 12216 Windows, portlights, hatches, deadlights and doors – Strength and watertightness requirements

Compliance with the essential requirements of the European Recreational Craft Directive 2013/53/EU of 20 November 2013 with the relevant parts of ISO standards and normative documents as listed in Annex 1 of the directive has been established by:

European Certification Bureau Nederland BV (NB 0614)
Julianaweg 224A
1131 NV Volendam
THE NETHERLANDS

Certificate number: -15-11-2015-

Compliance with the essential requirements of the Electromagnetic Compatibility Directive 2014/30/EU with scope of application marine market (pleasure craft) has been established by accredited laboratory:

DARE II Measurements
Vijzelmolenlaan 7
3447 GX Woerden
THE NETHERLANDS

Reports number: 15C00855RPT01

Fig. 15: BlueSky - CE declaration

These are the original instructions. The English language is binding.
You can request your language if it is missing. The telephone number of each country can be found in the Webasto service centre leaflet or the website of the respective Webasto representative of your country.

Webasto Thermo & Comfort SE
Postfach 1410
82199 Gilching
Germany

Company address:
Friedrichshafener Str. 9
82205 Gilching
Germany



www.webasto.com

